



CONTROL DAMPERS 50mm PITCH

WM-05
SERIES

OVERVIEW

OVERVIEW :

The WM-05 series forms a range of calibration dampers. These dampers are used in ventilation systems and for the regulation of the air distribution in the duct system.

The regulation of the air flow is managed from a manual command able to regulate the blade inclination (WM-05C). In alternative the damper can be equipped with an electric servomotor that can be controlled by the individual themselves (WM-05P).

With this scope, a version has also been designed with a control hinge, as shown in the diagrams here below shown.

CHARACTERISTICS:

Frame: extruded aluminium, 30 mm flange, 65 mm thick, built in four parts joined by mechanical assembly.

Blades: drummed to a wing profile in extruded aluminium extruded 50mm internal axis.

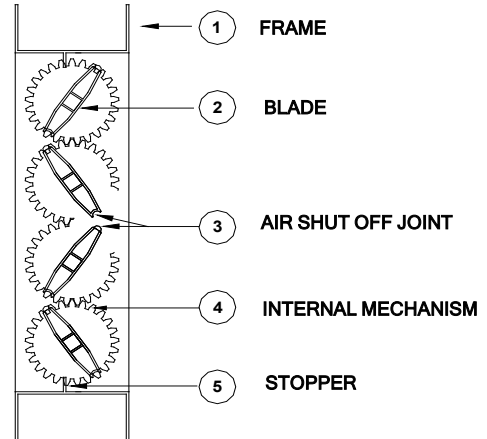
Mechanism : transmission system composed by the movement of the interlocking gears.

Available dimensions :

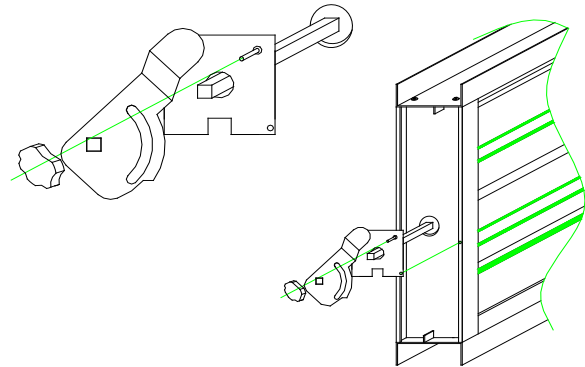
Minimum : 100 x 61

Maximum : 800 x 861

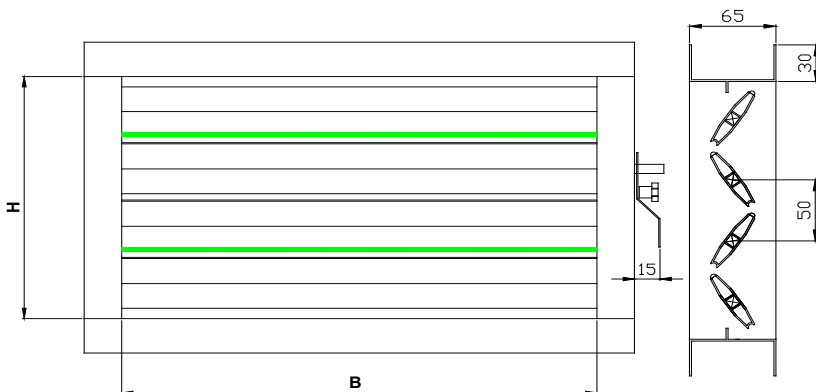
For special sizes please request availability and offer.



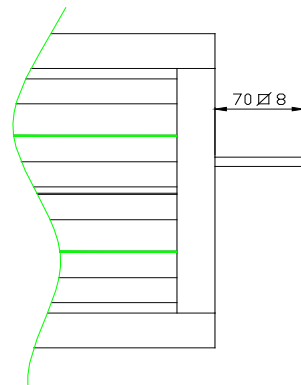
MANUAL COMMAND DETAIL :



OVERALL SIZES



SPECIAL ASSEMBLY WITH HINGE :





CONTROL DAMPERS

50mm PITCH

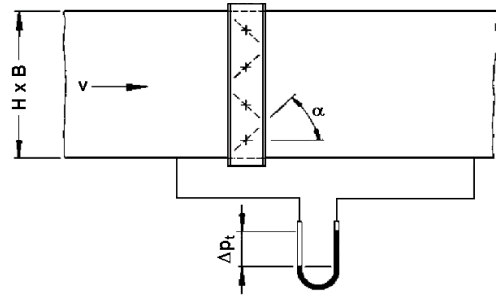
PERFORMANCE

WM-05

SERIES

The graphs and diagrams shown, refer to the pressure loss with reference to the speed of the air and of the inclination of the blades and in the same way the relative noise levels of the single unit.

For different areas to the ones shown, the correcting factor



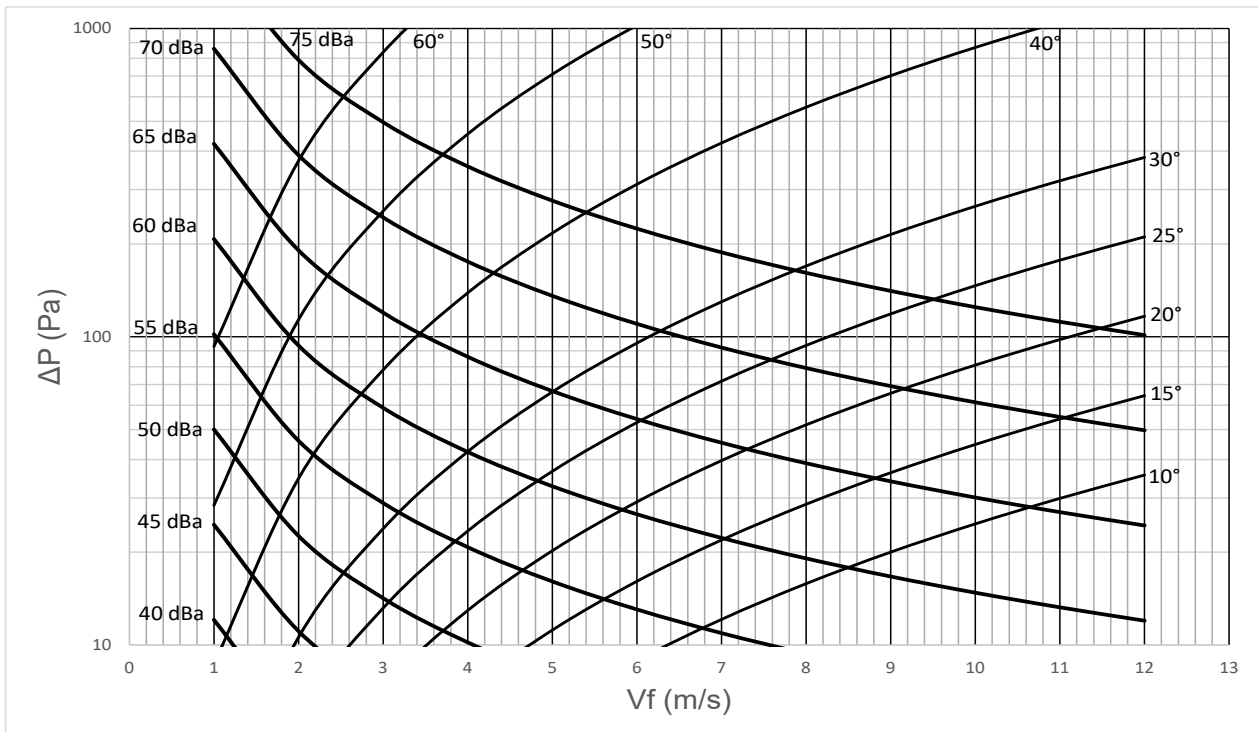
Vf Frontal velocity

Data: B Base in mm
H Height in mm
Q Air flow in m³/h

A= (B/1000)*(H/1000) Area in m²

Vf= Q/A/3600

Pressure drop and sound power for frontal area = 1m²



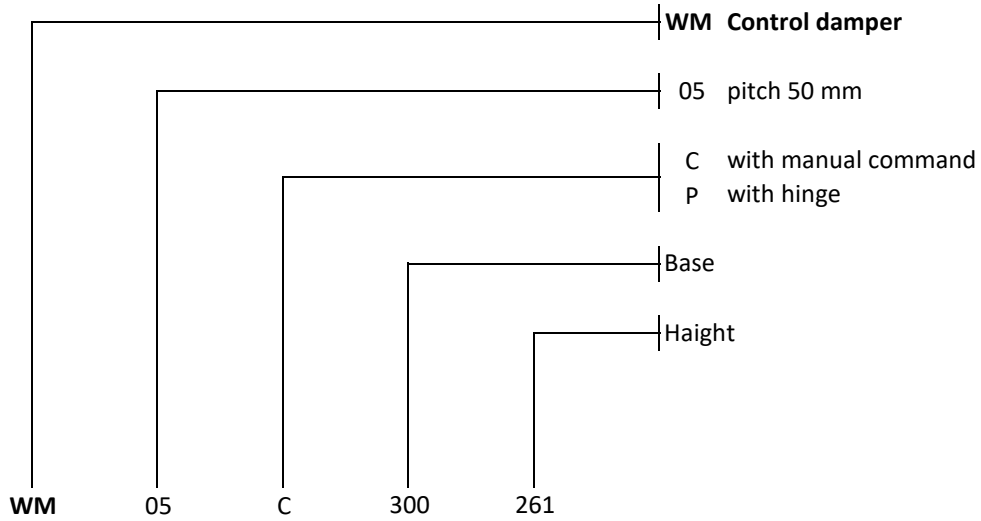
CORRECTION FACTOR "K" OF THE SOUND POWER FOR DAMPERS WITH FRONTAL AREA DIFFERENT FROM 1m ²									
BxH [m ²]	0,005	0,010	0,020	0,050	0,100	0,200	0,500	0,700	1,000
K [dB(A)]	-23	-20	-17	-13	-10	-7	-3	-2	0



CONTROL DAMPERS
50mm PITCH

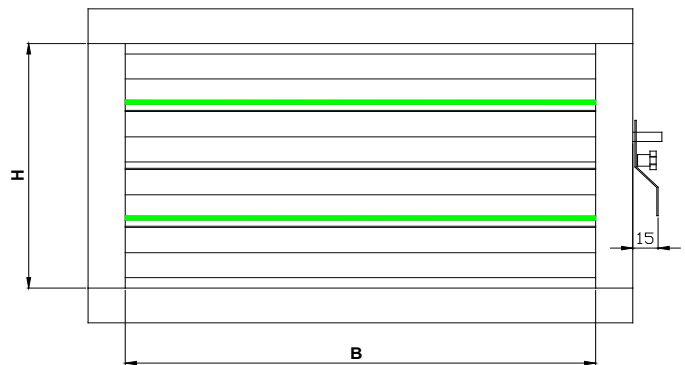
WM-05
SERIES

HOW TO ORDER
AVAILABLE SIZES



standard bases B mm
100
150
200
250
300
350
400
450
500
550
600
650
700
750
800

standard haight H mm
61
111
161
211
261
311
361
411
461
511
561
611
661
711
761
811
861





CONTROL DAMPERS
50mm PITCH

WM-05
SERIES

AVAILABLE
SERVOMOTORS

Model	Description	Torque Nm	Area of the damper up to m ²
LM230A	230V On/Off servomotor	5	1,0
LM230A-S	230V On/Off servomotor with 1 microswitch	5	1,0
NM230A	230V On/Off servomotor	10	2,0
SM230A	230V On/Off servomotor	20	4,0
SM230A-S	230V On/Off servomotor with 1 microswitch	20	4,0
GM230A	230V On/Off servomotor	40	4,0
LF230	230V On/Off servomotor with spring return	4	0,8
LF230-S	230V On/Off servomotor with 1 microswitch and spring return	4	0,8
LM24A	24V On/Off servomotor	5	1,0
LM24A-S	24V On/Off servomotor with 1 microswitch	5	1,0
LM24A-SR	24V Proportional servomotor	5	1,0
NM24A	24V On/Off servomotor	10	2,0
NM24A-SR	24V Proportional servomotor	10	2,0
SM24A	24V On/Off servomotor	20	4,0
SM24A-S	24V On/Off servomotor with 1 microswitch	20	4,0
SM24A-SR	24V Proportional servomotor	20	4,0
GM24A	24V On/Off servomotor	40	8,0
GM24A-SR	24V Proportional servomotor	40	8,0
LF24	24V On/Off servomotor with spring return	4	0,8
LF24-S	24V On/Off servomotor with 1 microswitch and spring return	4	0,8